

Valves



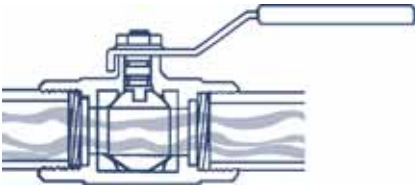
The Right Connection™

Valve Selection Guide

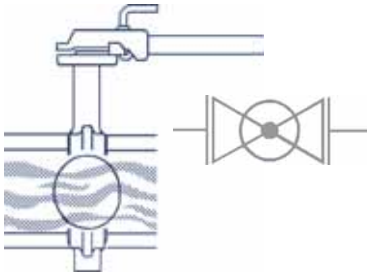
Ball Valve



- Can be used for on and off service or throttling
- When positive shut-off is necessary
- Where a low valve profile is necessary
- Only 90° rotation from open to fully closed (quick opening)
- Handle position is a quick indication of whether valve is open or closed.
- Full port ball valves do not resist flow

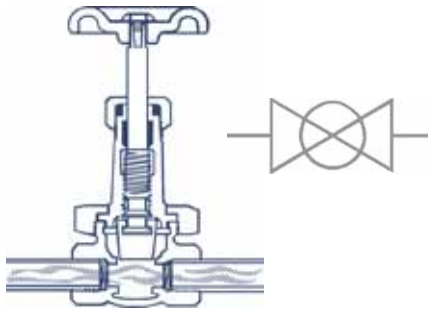


Butterfly Valve



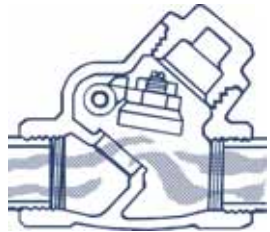
- Where positive shut-off is necessary
- Primarily for fully open or fully closed applications
- May be used for throttling
- Only 90° rotation from open to fully closed
- Lightweight
- Easy to install
- Less costly than an Iron body gate valve

Gate Valve



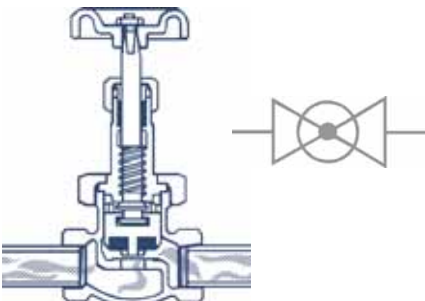
- For fully open or fully closed service
NOT FOR THROTTLING
- For minimum line pressure drop
- For minimum fluid entrapment in the line
- For relatively infrequent operation

Check Valve



- To control the direction of flow and for quick, automatic reactions to flow change. Swing check valves are used when a minimum resistance to flow is required.
- Swing check valves are recommended for use in conjunction with gate valves. They should not be used in a rapid recycling system such as reciprocating pumps or air compressor service where they could cause chatter and damaging vibration.

Globe Valve



- For regulation (throttling) of flow
- For frequent operation; short stem travel reduces operator's time.
- Where some line resistance is acceptable

SAFETY

- Use Dixon couplings, retention devices and accessory products **only** for their intended service.
- All recommendations of the Hose Manufacturer, and the Coupling Manufacturer, must be employed with regards to **Size**, **Temperature**, **Application**, **Media**, and **Pressure** when selecting the components for a hose assembly.
- All finished hose assemblies should be tested in accordance with the **Rubber Manufacturers Association** recommendations.
- All hose assemblies should be thoroughly inspected prior to each use to insure they are undamaged, and properly coupled.
- Use safety clips on couplings, and King Safety Cables on assemblies where required by the manufacturer, as well as State and Federal regulations.
- Call Dixon (1-877-963-4966) for advice on couplings, retention devices, and accessories for your application.

SAFETY
ALERT

Full Flow Aluminum Ball Valves

Female NPT x Female NPT

Features

- High flow rate; low pressure drop
- Wetted parts are aluminum and stainless steel
- Seals are FPM (Viton® and PTFE Teflon®)
- Spindle can be disassembled even when ball valve is installed
- Working pressure: **150 PSI**
- Female NPT outlets are standard
- Optional flanges are available
- 2", 3" and 4" available in one-way and two-way flow
- One-way (**1WAYBV...**) and two-way (**2WAYBV...**)



Two-way ball valve shown

Domestic Brass Ball Valves

Female NPT x Female NPT

Features

- For control of air, water, oil and gas in hose or pipe lines.
For other services, please contact the factory.
- Rated to **600 PSI WOG**; **150 PSI** saturated steam
- Brass valve bodies, balls and stems
- Blow-out proof stems
- Glass-filled reinforced Teflon® seats and stuffing box ring; stem seals and washers.
- Plated steel handles and nuts with vinyl sleeves, both styles repairable
- Meets WW-V 35C, Type II Composition
- Ball valve handle replacements available, consult factory for pricing.
- ¼" - ½" available in full port design (**BBV..**)
- ¾" - 2" available in standard port design (**BBV...**)



Locking Handle Brass Ball Valves

Female NPT x Female NPT

Features

- For control of air, water, oil and gas in hose or pipe lines.
For other services, please contact the factory.
- Rated to **600 PSI WOG**; **150 PSI** steam
- Blow-out proof RPTFE stem
- Chrome-plated brass ball
- Stainless steel sliding lock mechanism secures handle in open or closed position; can be padlocked opened or closed.
- ¼" - ½" available in full port design (**BBLV..**)
- ¾" - 2" available in standard port design (**BBLV...**)

Sliding Lock
Mechanism



Imported Brass Ball Valves

Female NPT x Female NPT



Features

- For control of air, water, oil and gas in hose or pipe lines. For other services, please contact the factory.
- Rated to **600 PSI WOG**; **100 PSI steam**
- Forged brass bodies
- Blow-out proof stems
- Teflon® seats, seals and thrust washers
- Chrome-plated brass balls and plated steel handles
- Temperature range to **320°F**
- Underwriters, Factory Mutual, American Gas Association and Canadian Gas Association approved
- ¼" - 4" available in full port design (**FBV.., FBV...**)

Global Brass Ball Valves

Female NPT x Female NPT



Features

- For control of air, water, oil and gas in hose or pipe lines.
- Rated to **600 PSI WOG**
- Body: forged brass, UNS#C37700
- Adjustable stem packing nut
- Silicone free
- Temperature range to **300°F**
- Underwriters approved
- CSA (Canadian Standards Association) approved
- ½" - 2" available in full port design (**FBVG.., FBVG...**)

Imported Brass Ball Valves

Female NPT x Female NPT



Features

Standard design

- For control of air, water, oil and gas in hose or pipe lines. For other services, please contact the factory.
- Rated to **600 PSI WOG**; **100 PSI steam**
- Forged brass bodies
- Blow-out proof stems
- Teflon® seats, seals and thrust washers
- Chrome-plated brass balls and plated steel handles
- Temperature range to **320°F**
- ½" - 2" available in standard port design (**BV.., BV...**)

Features

Full port design

- For control of air, water, oil and gas in hose or pipe lines. For other services, please contact the factory.
- Rated to **400 PSI WOG**; **125 PSI steam**
- Blow-out proof stems
- PTFE seats, double O-ring stem packing
- Chrome-plated brass ball
- Temperature range to **266°F**
- Underwriters approved
- ½" - 2" available in full port design (**FBVI.., FBVI...**)

Brass Mini Ball Valves

Female NPT x Female NPT



Features

- Rated to **450 PSI**
- Nickel plated brass body
- Teflon® seats and Buna-N stem seal
- Blow-out proof stem
- Temperature range to **200°F**
- American Gas Association and Canadian Gas Association approved
- 1/8" - 1/2" available in standard port design (**MBV..**)
- 1/4" - 3/8" available in full port design (**MBV..**)



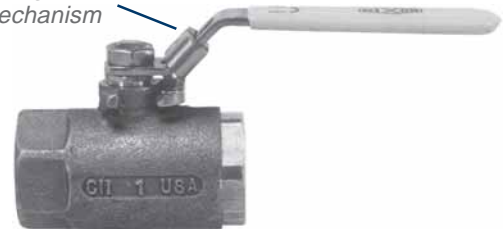
Safety Vented Ball Valves

Female NPT x Female NPT

Features

- For air service only
- **125 PSI**
- Lockable ball valves vent downstream air in accordance with new OSHA regulations for pneumatic systems.
- Brass valve
- Chromium plated ball
- RTFE seats and stuffing box ring
- Blow-out proof stem design
- Temperature range to **50°F - 200°F**
- Adjustable packing gland
- 1/4" - 1/2" available in full port design (**BBV..LV**)
- 3/4" - 2" available in standard port design (**BBV..LV**)

Sliding Lock Mechanism



Bronze "Deadman" Spring Return Handle Ball Valves

Female NPT x Female NPT

Features

- Rated to **600 PSI WOG**; **150 PSI** saturated steam
- Vacuum service to 29 inches Hg
- Threaded bronze valve
- Stainless steel lever
- Chromium plated ball
- RTFE seats and stuffing box ring
- Blow-out proof stem design
- Adjustable packing gland
- Spring return to close and open valve
- Operating torque approximately three times standard valve torque.
- 1/4" - 3/4" available in full port design (**BBV...SR**)
- 1" - 2" available in standard port design (**BBV...SR**)



Bronze Ball Valves with NPT Tap for Drain

Female NPT x Female NPT



Features

- Recommended for water and air service
- Rated to **125 PSI** WOG
- Bronze ball valves vent downstream air in accordance with OSHA regulations for pneumatic systems.
- Chromium plated ball
- RTFE seats and stuffing box ring
- Blow-out proof stem design
- Adjustable packing gland
- Auto-drain / Auto-vent
- Features a ¼" NPT tapped port for additional options such as an air venting elbow or noise muffler.
- ¼" - 1" available in full port design (**BBV-VT**)

3-Way Diversion Ball Valves

Female NPT x Female NPT



Features

Brass Valves

- Can be used with gasoline and diesel fuel
- Rated to **400 PSI** WOG
- Bronze body
- Chromium-plated ball
- RPTFE seats and stuffing box ring
- Stainless steel handle and nut with vinyl sleeve
- Adjustable packing gland
- Female NPT
- ½" - 1" available in full and standard port design (**BBV-TW**)

Features

Stainless Steel Valves

- Rated to **800 PSI** WOG
- Stainless steel body and ball
- Blow out proof stem
- RPTFE seats and stuffing box ring
- Stainless steel handle and nut with vinyl sleeve
- Adjustable packing gland
- Meets NACE MR-01-75
- Female NPT
- ½" - 1" available in full and standard port design (**SSBV-TW**)

3-Way Diverting Ball Valves

Female NPT x Female NPT x Female NPT



Features

- Rated to **400 PSI** WOG; **100 PSI** saturated steam
- Brass body
- Blow out proof stem
- Chrome plated brass ball
- PTFE seats, seals, and thrust washer
- Adjustable stem packing
- Temperature range to **320°F**
- Female NPT
- ½" - 2" available in standard port design (**BBV-DTW**)

Domestic Full Port Ball Valves

Female NPT x Female NPT

Features

- Rated to **600 PSI** WOG; **150 PSI** saturated steam
- Machined solid chrome-plated ball
- Multi-fill PTFE seats and seals
- Adjustable packing
- Blow-out proof stem design
- Bronze castings
- Vacuum service to 29 inches Hg
- ¼" - 4" available in full port design (**BBV--FP**, **BBV...FP**)



250 Lb. Steam Ball Valves

Female NPT x Female NPT

Features

- Recommended for use with fluids with widely varying temperatures and/or thermal expansion rates.
- Rated to **600 PSIG**; **250 PSI** saturated steam
- Vacuum service to 29 inches Hg
- Threaded bronze valve
- 316 stainless steel ball and stem
- Multi-filled RPTFE seats
- Multi-filled stuffing box ring
- High-temperature MTFE stem packing
- Blow-out proof stem design
- Adjustable packing gland
- Maximum temperature rating **406°F**
- ½" - 2" available in standard port design (**BBV--ST**)



Carbon Steel Ball Valves

Female NPT x Female NPT

Features

- ¼" to 1" are rated to **2000 PSI** WOG
- 1¼" to 2" are rated to **1500 PSI** WOG
- Rated to **150 PSI** saturated steam
- For control of air, water, oil and gas in hose or pipe lines. For other services contact the factory.
- RPTFE seats and seals
- Blow-out proof stem design
- Adjustable packing gland
- Chromium plated ball
- 1/4" - 3/8" available in full port design (**IBV--**)
- 1/2" - 2" available in standard port design (**IBV...)**



High Pressure Full-Bore Hydraulic Ball Valves

Female NPTF x Female NPTF



Features

- Blow-out proof stems
- Rugged carbon steel construction
- Viton® shaft seals
- ¼" - 2" available, (**HPBV...**)

Dual Y Valves

Female NPT x Female NPT



Features

- Dual action valve, ideal for compressor applications
- Female NPT threads
- Non-vented rated to **600 PSI** WOG
- Vented rated to **125 CWP** (Cold Working Pressure)
- 1" and 1½" available in non-vented and vented flow
- Non-vented (**BBV...DW**) and vented (**BBV...DWW**)

In-Line Ball Valve with Air King End



Features

- Easily maintained in line valve
- One piece ball and stem
- Positive on/off
- ¾" female NPT (**VAM75**)

Stainless Steel Ball Valves

Female NPT x Female NPT



Features

- For use in water, oil and gas
- ¼" - 2" rated to **1000 PSI** WOG (CWP);
2½" - 3" rated to **800 PSI** WOG (CWP); **100 PSI** saturated steam
- 316 stainless steel body, ball and stem
- Teflon® seat, joint gasket and thrust washer
- Plastic cover on handle
- Blow-out proof stem design
- Temperature range **-60°F** to **450°F**
- ¼" - 3" available in full port design (**SSBV..**, **SSBV...**)

Stainless Steel Ball Valves

Female NPT x Female NPT

Features

- For use in water, oil and gas
- ¼" - 1" rated to **2000 PSI** (CWP);
1½" - 2" rated to **1500 PSI** (CWP)
- Body conforms to ASTM A-351 Grade CF8M
- Ball is 316 stainless steel
- PTFE, glass filled seat
- Blow-out proof stem design
- ¼" - 2" available in reduced port design (**SSBV..RP**, **SSBV...RP**)



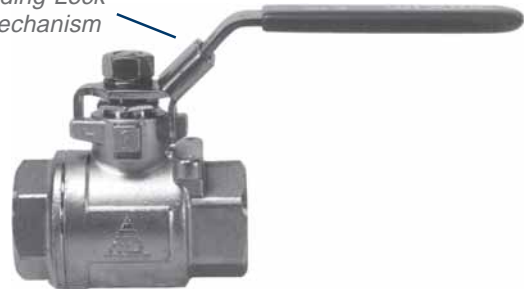
Locking Handle Stainless Steel Ball Valves

Female NPT x Female NPT

Features

- For use in water, oil and gas
- Rated to **1000 PSI** WOG; **100 PSI** saturated steam
- 316 stainless steel body, ball and stem
- Teflon® seat, joint gasket and thrust washer
- Plastic cover on handle
- Blow-out proof stem design
- Temperature range **-60°F** to **450°F**
- ¼" - 2" available in full port design (**SSLBV..**, **SSLBV...**)

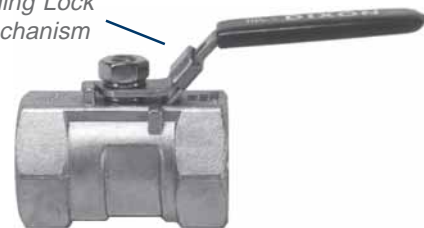
Sliding Lock
Mechanism



Features

- For use in water, oil and gas
- Rated to **800 PSI** WOG; **100 PSI** saturated steam
- 316 stainless steel body, ball and stem
- Teflon® seat, joint gasket and thrust washer
- Plastic cover on handle
- Blow-out proof stem design
- Temperature range **-60°F** to **450°F**
- ¼" - 2" available in standard port design (**SSLBV..SP**, **SSLBV...SP**)

Sliding Lock
Mechanism



Pneumatically Actuated Stainless 3 Piece Ball Valves

Full Port

Female NPT x Female NPT

Features

- 3-piece rack and pinion design
- Hard anodized aluminum body actuator
- NAMUR mounting
- Swing out in-line easy maintenance
- Self-adjusting stem packing with Belleville washers
- ¼" - 2" rated to **1000 PSI** WOG;
2½" - 3" rated to **800 PSI** WOG
- Media temperature range: **-40°F** to **400°F**
- Minimum operating pressure: **70 PSI**
- Maximum operating pressure: **150 PSI**
- Material: 316 stainless steel



Pneumatically Actuated 2 Piece Ball Valves

Direct Mount - Full Port
Female NPT x Female NPT



Features

316 Stainless Steel Valves

- Precise stem alignment
- NAMUR interface
- Actuator temperature **-4°F to +185°F**
- Ball valve rated to **1,000 WOG/150 PSI** steam
- Ball valve maximum temperature to **366°F**
- Minimum operating pressure: **70 PSI**
- Maximum operating pressure: **150 PSI**
- Compact, no brackets required
- O-ring backed seats for lowest torque
- Double Viton® O-ring stem seals
- ISO 5211 pad

Features

Brass Valves

- Precise stem alignment
- NAMUR interface
- Actuator temperature **-4°F to +185°F**
- Ball valve rated to **600 WOG/150 PSI** steam
- Ball valve maximum temperature to **366°F**
- Operating air pressure: **80 PSI** minimum, **120 PSI** maximum
- Minimum operating pressure: **40 PSI**
- Compact, no brackets required
- O-ring backed seats for lowest torque
- Double Viton® O-ring seals
- ISO 5211 pad

Pneumatically Actuated 3-Way L Port Ball Valves

Direct Mount - Standard Port
Female NPT x Female NPT



Features

316 Stainless Steel Valves

- Precise stem alignment
- Diverting valve only
- 4-seat design - can use any port as an inlet
- ¼" - 1" rated to **1,000 WOG**
- 1¼" - 2" rated to **800 WOG**
- Live loaded stem seal
- Temperature to **400°F**
- Minimum operating pressure: **70 PSI**
- Maximum operating pressure: **150 PSI**
- ISO 5211 actuator pad

Pneumatically Actuated 3-Way L Port Ball Valves

Direct Mount - Standard Port
Female NPT x Female NPT

Features

Brass Valves

- Precise stem alignment
- Diverting valve only
- 4 seat design - can use any port as an inlet
- O-ring backed seats for lowest torque
- Double Viton® O-ring stem seals
- Temperature to **350°F**
- Minimum operating pressure: **40 PSI**
- Maximum operating pressure: **150 PSI**
- 90° with off position
- **400 WOG - 100 PSI** steam
- ISO 5211 actuator pad



Pneumatically Actuated 3-Way T Port Ball Valves

Direct Mount - Standard Port
Female NPT x Female NPT

Features

316 Stainless Steel Valves

- Precise stem alignment
- Diverting valve only
- 4-seat design - can use any port as an inlet
- ¼" - 1" rated to **1,000 WOG**
- 1¼" - 2" rated to **800 WOG**
- Live loaded stem seals
- Minimum operating pressure: **70 PSI**
- Temperature to **400°F**
- Can be used as a shut-off
- ISO 5211 actuator pad
- 90° and 180° flow paths

Features

Brass Valves

- Precise stem alignment
- Diverting valve only
- 90° and 180° flow paths
- O-ring backed seats for lowest torque
- Double Viton® stem seals
- **400 WOG - 100 PSI** steam
- Minimum operating pressure: **40 PSI**
- ISO 5211 actuator pad
- 4-seat design - can use any port as an inlet
- Can be used as a shut-off



Electrically Actuated Ball Valves

Dual Acting - Full Port - Electrical On/Off Control (115 volts)
Female NPT x Female NPT



Features

316 Stainless Steel Valves

- 3-piece rack and pinion design
- Hard anodized aluminum body
- NAMUR mounting
- Swing out in-line easy maintenance
- Self-adjusting stem packing with Belleville washers
- 3" clearance required for cover removal
- ¼" - 2" rated to **1000 PSI** WOG;
- 2½" - 3" rated to **800 PSI** WOG
- Media temperature range: **-40°F to 400°F**



Features

Brass Valves

- 2-piece
- Direct mount for low-profile, cost efficient applications
- NAMUR mounting
- Manual override
- Nema 4 housing
- 3" clearance required for cover removal
- Rated to **600 PSI** WOG; **100 PSI** Steam
- Media temperature: **300°F**

Actuated Valve Accessories

3 and 4 Way Combination NAMUR Solenoids

- CSA (Canadian Standards Association) and Underwriters certified



Mounting type	Part #	Description
Nema 4X	9AAG-115VAC	115 volts, alternating current
Nema 4X	9AAG-24VDC	24 volts, direct current



Limit Switches

- Beacon indicator
- (2) SPDT electro-mechanical switches
- Direct mount

Mounting type	Part #
Nema 4X	LS-N4



mounting kit



Pneumatic Positioners

- 3-15 PSI modulating signal for proportional control
- Mounting hardware included

Mounting type	Part #
Nema 4X	VP-700



mounting kit



Electro-Pneumatic Positioners

- Electronic 4-20ma modulating signal for proportional control
- Mounting hardware included

Mounting type	Part #
Nema 4X	VP-900



mounting kit



Compact High Pressure Grooved End Ball Valves

Grooved End x Grooved End



Features

- Suitable for many applications in high pressure pipeline systems, including petroleum, process systems, water, oil and gas.
- Rated to **600 PSI**
- Epoxy coated high strength ductile iron body
- 316 stainless steel ball and stem
- 15% glass reinforced Teflon® seats
- Temperature rated to **450°F**
- 4" and 6" available, (*HPBV-*)

Iron Butterfly Valves

Threaded Lug Style

NOT RECOMMENDED FOR STEAM SERVICE

Pictures are representative, different size valves have different hole patterns.



Features

- For use between two 150 lb. flanges
- Will lock "open" or "closed"
- Rated to **200 PSI**
- Ductile iron body, ASTM A126, class B
- Aluminum bronze disc, ASTM B148, ALY.954
- Buna-N seal and stem seals and liner
- PTFE bushing
- Stainless steel top and bottom stems
- 2" - 6" available, (*BFVL...*)

Iron Butterfly Valves

Wafer Style



Features

- For use between two 150 lb. flanges
- Will lock "open" or "closed"
- Rated to **200 PSI**
- Ductile iron body, ASTM A126, class B
- Aluminum bronze disc, ASTM B148, ALY.954
- Buna-N seal and stem seals and liner
- PTFE bushing
- Stainless steel top and bottom stems
- 2" - 6" available, (*BBFVW...*)



Features

- For use between two 150 lb. flanges
- Will lock "open" or "closed"
- Rated to **200 PSI**
- Ductile iron body, ASTM A126, class B
- Stainless steel disc, ASTM A351, GR. CF-8M
- Buna-N seal and stem seals and liner
- PTFE bushing
- Stainless steel top and bottom stems
- 2" - 6" available, (*BFVW...*)

Flow Control Valves

Series MV

Features

With these high-precision metering and shutoff valves, you can readily make fine adjustments and reset with the exclusive color code 5000 that shows when you reach the desired setting.

- Body components are precision-turned from solid barstock
- All models have 416 stainless steel needles
- Steel - maximum operating pressure: **5000 PSI**
- 1/4" - 1/2" available, (**SMV...**)



Brass Needle Valves

NPT x NPT

Features

- Metal-to-metal seats allow positive sealing and flow adjustment
- Designed for air and water applications
- Maximum working pressure is **150 PSI**
- 1/8" and 1/4" available, (**NV-F, NV-M**)



Mini Needle Valves

NPT x NPT

Features

Mini needle valves are available in a variety of materials, and handle options. All are equipped with both a Viton® O-ring seal and a Teflon® back-up ring below the threads to protect the mini valve from corrosion and galling. The stem threads are rolled for strength and ease of operation, and the metal-to-metal hard seat design is 100% helium leak tested to 1×10^{-4} ml/s at 200 PSI on each mini valve.

- Orifice size: 0.172"
- Flow coefficient: 0.42
- O-ring seal: Viton®
- Back-up ring: Teflon®
- 1/8" and 1/4" available in knurled knob and T design handles, (**MF-10, FF-10**)



Brass Gate Valves

Female NPT x Female NPT



Features

- Rated **200 PSI** non-shock cold water, oil or gas
- Brass body
- Female NPT threaded ends
- Threaded bonnet
- Integral seat
- Adjustable packing nut
- Non-rising stem
- Solid wedge disc
- Iron handwheel
- 100% factory tested
- ¼" - 4" available (**BGV..**, **BGV...**)

Self-Closing Gate Valves

Male NPT



Features

- Features a gray iron body, brass sliding gate and machine lapped sealing surface.
- Gate closes automatically when handle is released, cleaning discharge surface.
- Ideal for dispensing viscous liquids such as oil, grease, paint, varnish and syrups from drums and tanks.
- Can be padlocked
- ¾" and 2" available (**D..SC**)

Malleable Iron Drum Gate Valves

Male NPT



Features

- Manually operated
- Ideal for drawing non-flammable liquids from drums and tanks
- Iron body
- Machined and lapped brass faceplate designed for oval discharge to ensure no splashing and smooth operation.
- Black Japanned finish
- Can be padlocked
- ¾" and 2" available (**D..**)

Aluminum Drum Gate Valve

Male NPT



Features

- Lightweight, durable aluminum body provides improved corrosion resistance for certain fluids.
- Sturdy 2" handle is stamped metal with black enamel finish.
- Can be padlocked
- 2" available (**D75AL**)

Compression Bibb Faucets

Male NPT

Features

- Rough brass finish
- Nozzle end is GHT
- *Do not use light oil*
- ½" and ¾" available (**35-20--10**)



Drum Faucets

Features

- Gold polyethylene
- Faucets are not to be used in applications where temperatures exceed **140°F (60°C)**
- No wrench needed for screwing into drum opening
- 2" faucet is shipped with a gasket; the ¾" does not require a gasket
- ½" and ¾" available (**PDF-**)



Bronze Drum Plug Wrench

Features

- Sparkproof, natural finish is safe around flammables
- Offset handle design reduces user stress and minimizes knuckle injury.
- (**DPW**)



Thermoplastic Butterfly Valves with Lever Handle



Features

Ideally suited for the most demanding industrial, commercial, agricultural and irrigation environments.

- Pressure rating: **150 PSI**, non-shock water at **73°F**
- Corrosion resistant thermoplastic body, disc and handle
- Full boot seal for durable performance
- ANSI B16.5 Class 150 Flange Pattern
- Locking polypropylene handle with position indicator
- 100% bubble tight seal
- Blowout-proof stem design
- 3" - 6" available (**TPBFV...**)

Single Union Polypropylene Ball Valves

Female NPT x Female NPT



Features

- Rated to **125 PSI** at **70°F**
- Corrosion resistant polypropylene
- Teflon® ball seats
- EPDM O-rings
- FDA approved material
- ½" - 3" available (**SUBV...**)

Bolted Polypropylene Ball Valves

Female NPT x Female NPT



Features

- Rated to **125 PSI** at **70°F**
- Chemically-resistant, reinforced polypropylene
- FDA approved material
- Teflon® ball seats
- EPDM O-ring body seals, Viton® O-ring stem seals
- 304 stainless steel nuts and bolts
- ½" - 4" available (**PVFP...**)

Compact Bolted Polypropylene Ball Valves



Features

- Rated to **125 PSI** at **70°F**
- Full port
- Chemically-resistant, reinforced polypropylene
- FDA approved material
- Teflon® ball seats
- EPDM O-ring body seals, Viton® O-ring stem seals
- 304 stainless steel nuts and bolts
- 2" available (**PVFPS...**)

Bolted Polypropylene Ball Valves with Nozzles

Female NPT x Nozzle

Features

- Rated to **125 PSI** at **70°F**
- Chemically-resistant, reinforced polypropylene
- Teflon® ball seat
- EPDM O-ring body seals, Viton® O-ring stem seals
- 304 stainless steel nuts and bolts
- Body-to-flange design allows for low torque operation
- FDA approved material
- 1½" - 2" available (**PVFPN...**)



45° Single Union Polypropylene Nozzle Valves

Features

- Rated to **125 PSI** at **70°F**
- Corrosion resistant polypropylene
- Teflon® ball seats
- EPDM O-rings
- FDA approved material
- 1" available (**SUBVN100**)



Flange Ball Valves and Fittings

Features

- Quick and easy assembly, no pipe or sealant necessary
- Positive seals
- Easy on/off hose connections
- 360° orientation
- Valves and fittings are manufactured from glass re-inforced polypropylene for strength and durability — will not rust or corrode.



Recommended operating pressure for valves:

- **100 PSI** at 0°F
- **125 PSI** at 70°F
- **70 PSI** at 150°F

Accessories:

- stainless steel worm screw clamps
- EPDM flange gaskets
- assorted flanged fittings

Through its divisions and affiliated companies, Dixon is recognized as the premier manufacturer and supplier of hose fittings and accessories spanning a wide range of industrial uses. Dixon's reach includes products for fire protection, food, dairy processing, beverage and brewery, mobile tankers, mining, construction, chemical processing, petroleum, oilfields, refining, nuclear and manufacturing.



The Right Connection™

Dixon Valve & Coupling Company

800 High Street, Chestertown, MD 21620

Customer Service: 877.963.4966

Fax: 800.283.4966

www.dixonvalve.com